



Sentinel 4.0T 2 Post Lift with baseframe SF 9204



Key Features

- Low lifting pad height 100mm
- Rapid lifting time 60secs
- Asymmetric lifting arms for longer wheelbase vehicles
- Electrically operated mechanical latching system
- 1Ph option available



Sentinel 4.0t 2 Post Lift with baseframe SF 9204

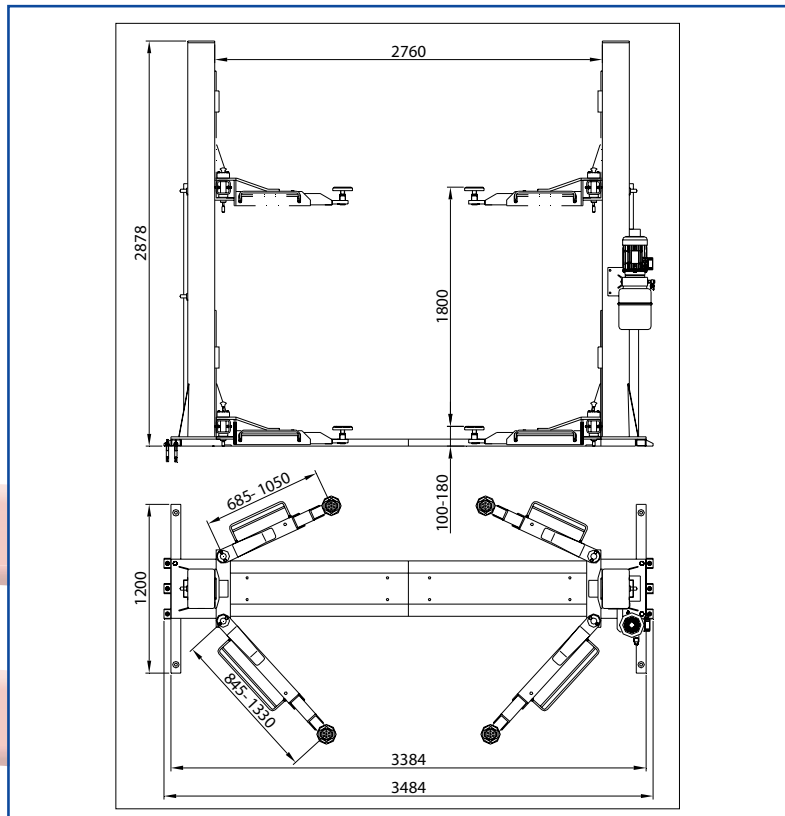
About SF 9204

The SF 9204 lift is mounted on a heavy duty steel base-frame, providing additional rigidity and security to the lift structure.

The lift has a wide clearance between the lifting carriages allowing clear access for a wide range of cars and LGV's. The minimum pad height of 100mm is compatible with the majority of cars and LGVs.

The 4t lifting capacity applies regardless of the position of the lifting arms, therefore the lift capacity remains at 4000Kg even when the arms are fully extended. The lift incorporates an electrically operated safety latching system. There is no overhead vehicle height restriction, unlike most clear floor hydraulic lifts.

The lifting carriage has a rubber bump stop to protect the doors of the vehicle being damaged.



Part Numbers and Ordering Information

Description	Part No
Sentinel 4.0t 2 Post lift with baseframe, 3Ph	SF 9204
Sentinel 4.0t 2 Post lift with baseframe, 1Ph	SF 9204/1

Options & Accessories

Description	Part No
High lift pads	OA 60293

Technical Specifications & Dimensions

Maximum lifting capacity	4000Kg
Long arm maximum length	1330mm
Long arm minimum length	845mm
Short arm maximum length	1050mm
Short arm minimum length	685mm
Passage Width	2670mm
Lifting/lowering time	3Ph - ≤ 60 sec / 1Ph - ≤ 75 sec
Gross Weight	700Kg
Lifting height	1900mm
Power supply 3Ph	+/-5% 230/400V / 3Ph / 50Hz / Earth
Power supply 1Ph	+/-5% 230V / 1Ph / 50Hz



Tecalemit After Sales Support

All Tecalemit equipment is supported throughout the UK by factory trained Tecalemit Service Engineers. All Tecalemit Engineers are fully credited through Tecalemit's own UKAS accredited laboratory. In addition to annual calibration Tecalemit offers a comprehensive range of extended service and maintenance packages – please contact your supplier for information.

All information in this document is correct at time of publication. Tecalemit reserves the right to amend and alter specifications without prior notice. Please confirm any critical requirements with your supplier at time of ordering. © Tecalemit 2009
Issue No: SF 9204 Sept 09

Sales: 00 44 (0) 1752 219 111
Service: 00 44 (0) 1752 219 100
Fax: 00 44 (0) 1752 219 128

Email: sales@tecalemmit.co.uk
Web: www.tecalemmit.co.uk

Tecalemit Garage Equipment Co Ltd
Eagle Rd, Langage Business Park
Plymouth • UK • PL7 5JY

